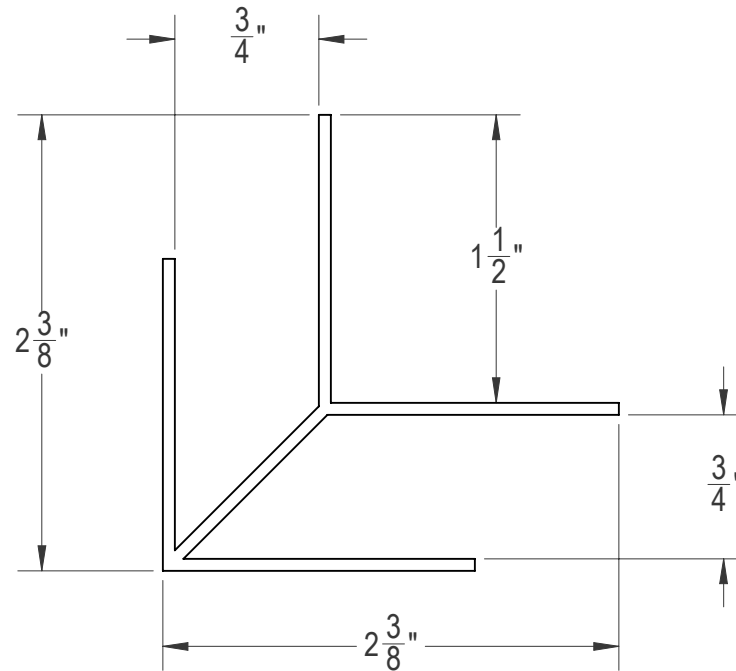




IDENTITY WOOD PRODUCTS, LLC  
 Ball Ground, Ga. 30107  
 www.identitywoodproducts.com  
 Ph.1-800-585-4120



MATERIAL: ALUMINUM EXTRUSION  
 6063-T3  
 FINISH: POWDER COATED BAKED  
 ENAMEL

| REV | DATE    | BY  | DESCRIPTION     |
|-----|---------|-----|-----------------|
| A   | 1/17/18 | DRD | SUBMITTAL       |
| B   | 2/20/18 | DRD | CHANGED LOGO HD |
|     |         |     |                 |
|     |         |     |                 |
|     |         |     |                 |
|     |         |     |                 |
|     |         |     |                 |
|     |         |     |                 |
|     |         |     |                 |

**DWG. NAME:**  
 OUTSIDE CORNER

**DWG. NO.**  
 FROCN-0000

|                |                |
|----------------|----------------|
| DWN BY:<br>DRD | CHK BY:<br>JFD |
|----------------|----------------|

SCALE: FULL

DWG. NO:  
 VW-1004

Reproduction of this document without the written authorization of IDENTITY WOOD PRODUCTS, LLC is strictly prohibited Copyright 2017, IDENTITY WOOD PRODUCTS, LLC.