

PROFILE

SCALE: HALF

\* = WOOD GRAIN TEXTURE

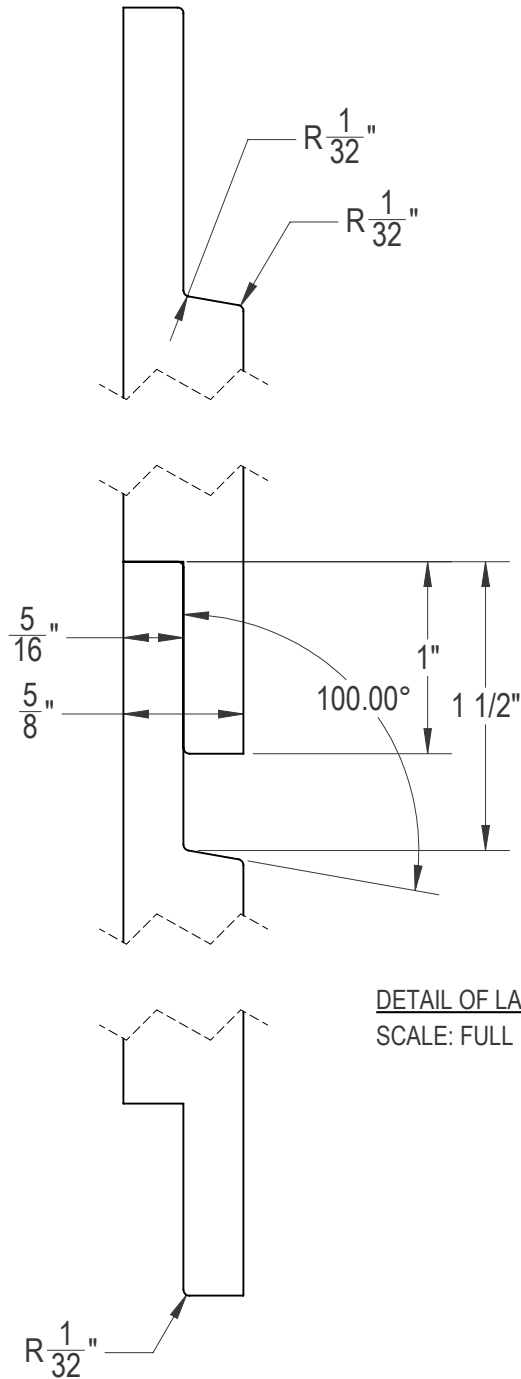
NOTES:

MATERIAL: 5/8" MIRATEK w/ WOOD GRAIN TEXTURED FACE

NOMINAL SIZE, 8"

ACTUAL SIZE, 7 1/4"

COVERAGE, 5 3/4"



DETAIL OF LAP

SCALE: FULL



IDENTITY WOOD PRODUCTS, LLC  
 Ball Ground, Ga. 30107  
 www.identitywoodproducts.com  
 Ph.1-800-585-4120

REV	DATE	BY	DESCRIPTION
A	1/06/18	DRD	RELEASE
B	1/18/18	DRD	RELEASE
C	2/20/2018	DRD	CHANGED LOGO HD

**DWG. NAME:**  
 8" SHIPLAP  
 W/ 1/2" GAP

**DWG. NO.**  
 M0812-0000

DWN BY: DRD	CHK BY: JFD
----------------	----------------

SCALE: NOTED

DWG. NO:  
 VW-1006

Reproduction of this document without the written authorization of IDENTITY WOOD PRODUCTS, LLC is strictly prohibited Copyright 2017, IDENTITY WOOD PRODUCTS, LLC.