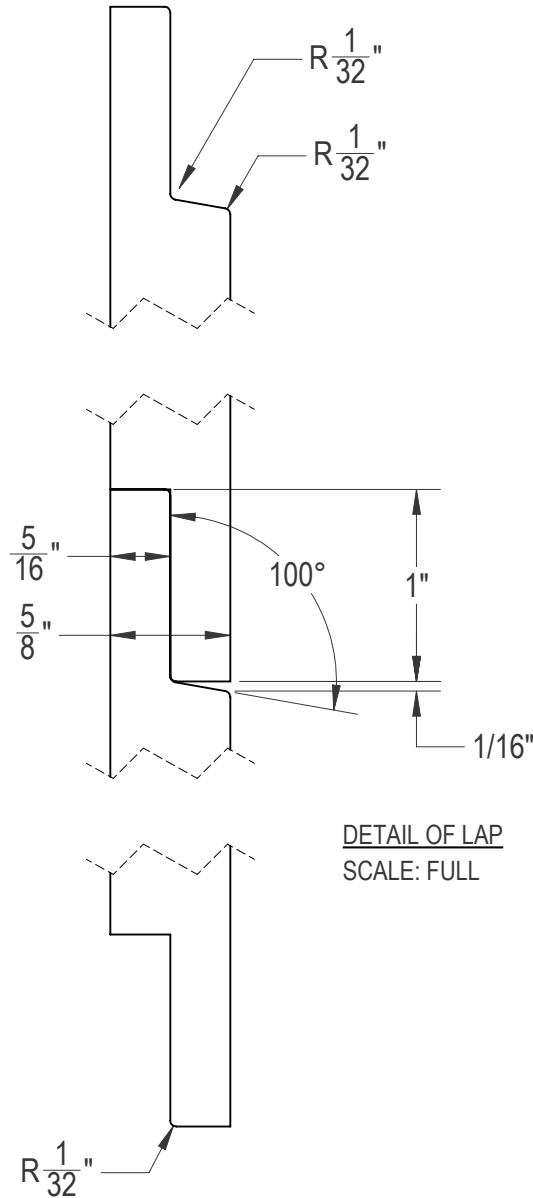


PROFILE
SCALE: HALF

* = WOOD GRAIN TEXTURE

NOTES:
MATERIAL: 5/8" MIRATEK w/ WOOD GRAIN TEXTURED FACE
NOMINAL SIZE, 8"
ACTUAL SIZE, 7 1/4"
COVERAGE, 6 1/4"



DETAIL OF LAP
SCALE: FULL



IDENTITY WOOD PRODUCTS, LLC
Ball Ground, Ga. 30107
www.identitywoodproducts.com
Ph.1-800-585-4120

REV	DATE	BY	DESCRIPTION
A	1/06/18	DRD	RELEASE
B	1/18/18	DRD	RELEASE
C	2/20/18	DRD	CHANGED LOGO HD

DWG. NAME:

8" SHIPLAP
w/ 1/16" GAP

DWG. NO.

M0816-0000

DWN BY:
DRD

CHK BY:
JFD

SCALE: NOTED

DWG. NO:
VW-1005

Reproduction of this document without the written authorization of IDENTITY WOOD PRODUCTS, LLC is strictly prohibited Copyright 2017, IDENTITY WOOD PRODUCTS, LLC.