

PROFILE

SCALE: HALF

* = WOOD GRAIN TEXTURE

NOTES:

MATERIAL: 5/8" MIRATEC w/ WOOD GRAIN TEXTURED FACE

NOMINAL SIZE: 8"

ACTUAL SIZE: 7 1/4"

EXPOSURE: 6 1/4"

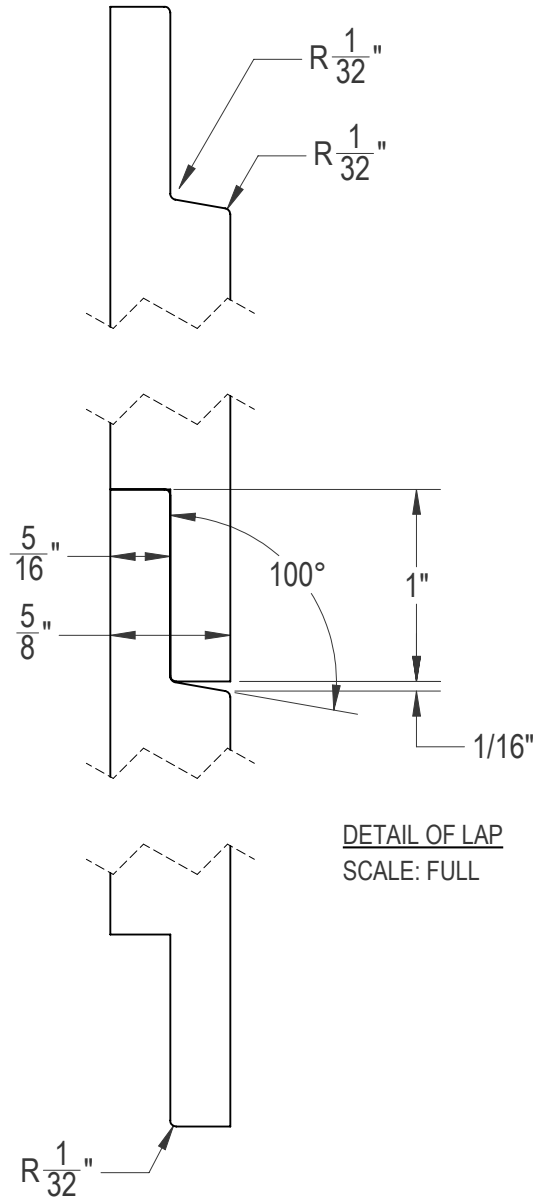
COVERAGE: 4.12 SQ FT

WEIGHT: APPROX 1.5 PSF

FLAME SPREAD: 125

SMOKE DEVELOPED: 120-145

CARB COMPLIANT



DETAIL OF LAP

SCALE: FULL



IDENTITY WOOD PRODUCTS, LLC
 Ball Ground, Ga. 30107
 www.identitywoodproducts.com
 Ph.1-800-585-4120

REV	DATE	BY	DESCRIPTION
A	1/06/18	DRD	RELEASE
B	1/18/18	DRD	RELEASE
C	2/20/18	DRD	CHANGED LOGO HD

DWG. NAME:
 8" SHIPLAP
 w/ 1/16" GAP

DWG. NO.
 M0816-0000

DWN BY: DRD	CHK BY: JFD
----------------	----------------

SCALE: NOTED

DWG. NO:
 VW-1005

Reproduction of this document without the written authorization of IDENTITY WOOD PRODUCTS, LLC is strictly prohibited Copyright 2017, IDENTITY WOOD PRODUCTS, LLC.